

Micro Speaker

Model: OSR1508EA-3.0T0.8W8A-R



ELECTRICAL SPECIFICATIONS

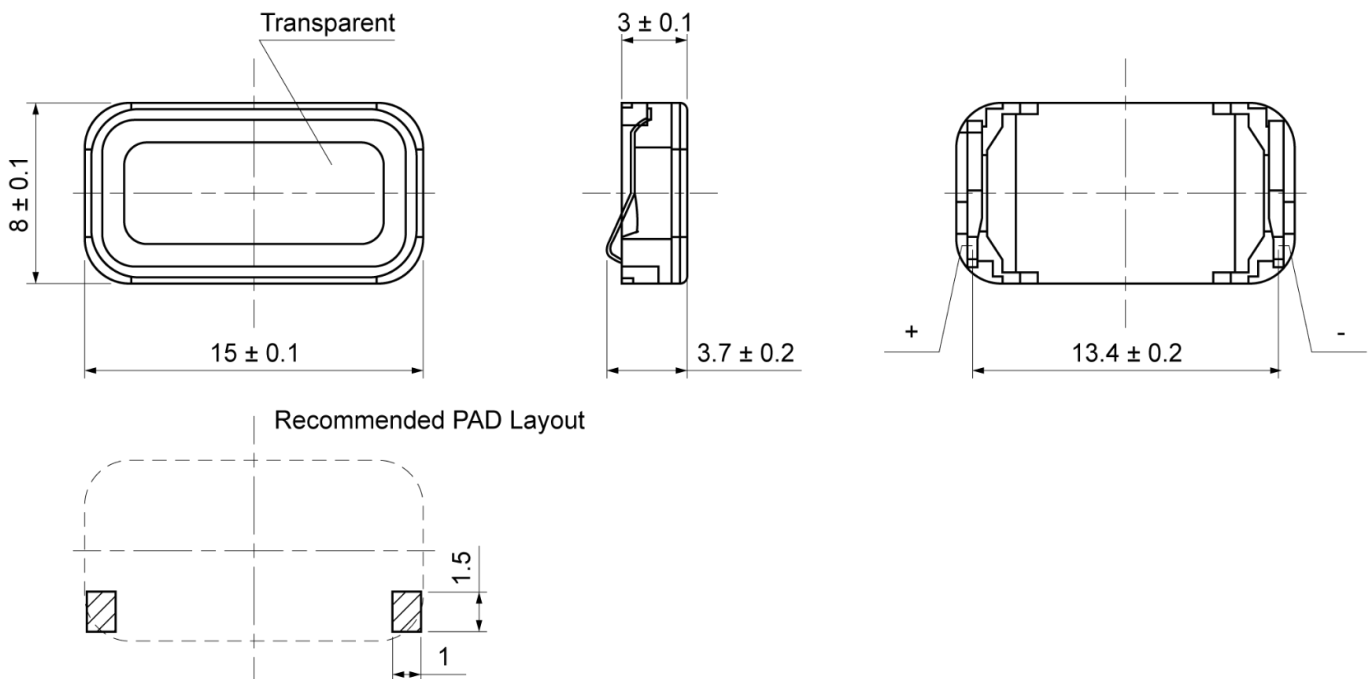
	Condition	Parameter	Unit
Sound Pressure Level	at 0.8W, 10cm [at 2KHz] in 4cc box	91 ± 3	dB
Impedance	at 2.53V	8 ± 15%	Ω
Rated Input Power		0.8	W
Max Input Power		1.2	W
Resonant Frequency (Fo)	at 2.53V, 10cm, in 4cc box	1200 ± 25%	Hz
Frequency Range		200 ~ 20000	Hz
Buzzer & Rattles	not be audible at sine wave between 300 ~ 5KHz	2.53	V
Operating Temperature		-20 ~ 70	°C
Magnet		Nd-Fe-B	
Frame Material		PPA	
Cone Material		PEN	
Weight		1.2	g
Dustproof And Waterproof Level	30m of water pressure for 15mins	IP68	

Note: IP protection level for speaker front side when built into sealed housing.

MECHANICAL DRAWING

Dimensions in mm

Tolerance ±0.2mm Except Specified



Micro Speaker

Model: OSR1508EA-3.0T0.8W8A-R

FREQUENCY RESPONSE CURVE

Testing Condition: 2.53Vrms / 10cm / in 4cc Box

